



FEATURE WALL FITTING INSTRUCTIONS

EQUIPMENT REQUIRED:

- Drill and suitable drill bits
- Fine tooth saw / circular saw / multitool / dust extraction is recommended
- Dust mask suitable for use with MDF dust
- Spirit level
- Stud detector
- Tape measure
- Rawl plugs / wall fasteners as required depending on the surface to be covered
- 35mm x 3.5mm black drywall screws (15no per panel)
- Screwdriver
- Sharp craft knife
- Grab / contact adhesive
- Fine sandpaper / file

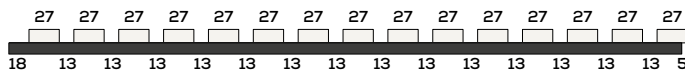
PLEASE WASH YOUR HANDS BEFORE HANDLING THE PANELS; OILS MAY MARK THE SURFACE.

Please note: the panels are made from natural wooden veneers and therefore some natural variation between the wood grain is to be expected. Please ensure all panels are checked for visual finish before installation. No claims for colour variance between panels will be accepted following installation of the panels.

Feature Wall panels can be installed either vertically or horizontally. Panels can be installed onto a curved substrate, however they must be installed vertically with a minimum curve/ radius of 1500mm.

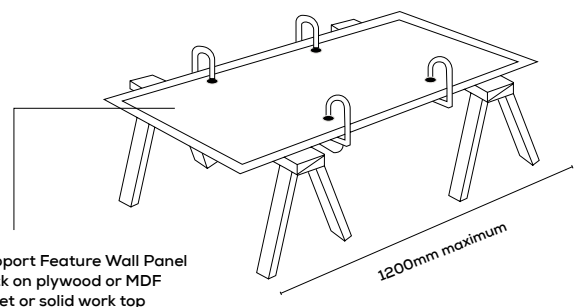
1. Inspect all panels on arrival – any issues must be reported as soon as possible so they can be resolved. Once the panels have been installed, they will be deemed as acceptable.

Noting the panels are designed with an overlap so that the joints between panels are covered by the timber slats.



2. Measure the area to be covered and plan exactly where each panel will go, ideally using the full width of the slats. Measure and plan for any wires, plug sockets etc. Use a stud detector to be sure that you do not screw into wires or pipes hidden in the wall. **For all electrical connections / disconnections please use a qualified electrician.**
3. Panels can be cut to size using a fine tooth saw or circular saw. The felt can be cut with a sharp craft knife.
4. When the panels have been adjusted in size it may be necessary to add fixings / staples through the rear of the felt backing to secure the timber slats. Staples, small wood screws or superglue are ideal for fixing potentially loose slats.

Cutting the panels on sacrificial boards assists with supporting the board due to its flexibility.

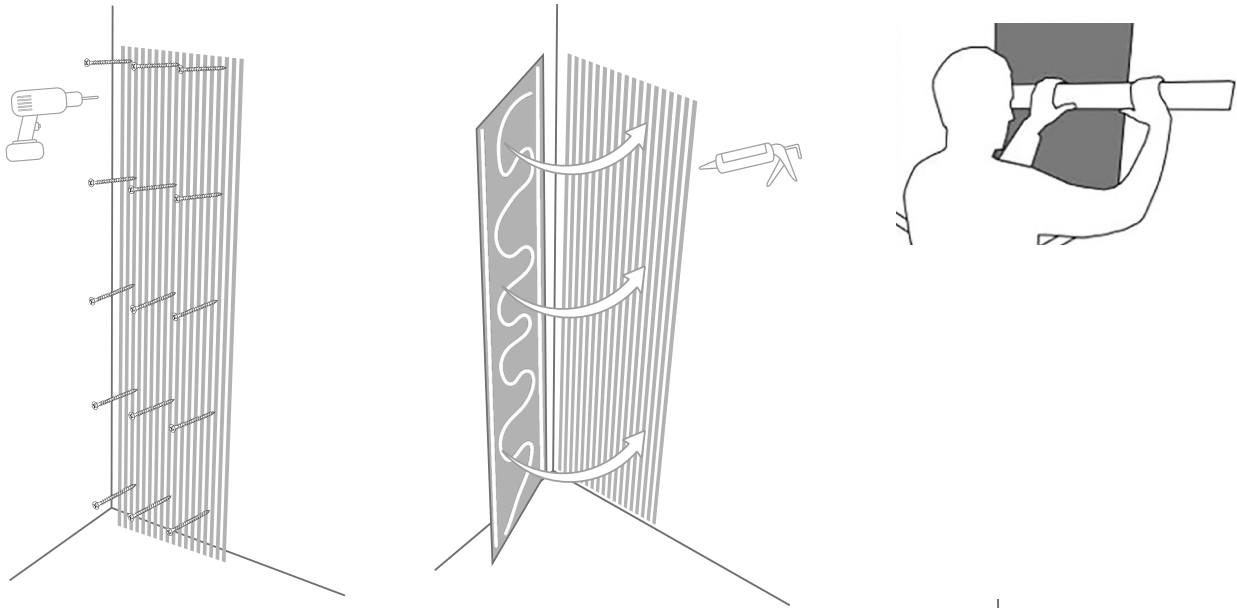


5. Please ensure any skirting boards are level and plumb before mounting the Feature Wall panels from them.

Please use appropriate dust extraction whilst cutting the Feature Wall panels

6. Panels can be easily attached to the wall with a good quality grab polymer adhesive (2 tubes per panel dependent on wall condition), or black drywall screws. Alternatively it can be attached to battens to provide space behind for secret cabling, or the addition of sound proofing material for improved sound absorption.
7. Use 15 screws per panel. Screws should be evenly spaced though the felt and between the slats. Ensure that the Rawl plugs / wall fasteners used are suitable for the wall or ceiling that the panels are to be attached to. Holding each panel to the wall and, pushing through the felt, mark the position of each screw. Use the spirit level to make certain that each panel is vertical. Drill holes as required and push in the plugs.

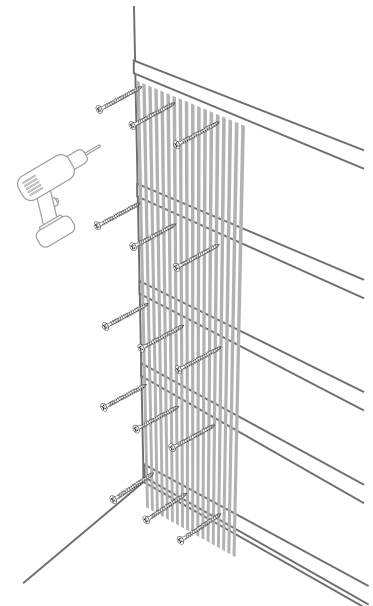
8. If using polymer adhesive, cut the nozzle at 12mm and apply an even bead of adhesive 1 vertical bead to either side of the panel and in the centre a wavy pattern covering the rear of the panel. This ensures neighbouring panels meet at joints correctly, apply to the wall using even pressure a piece of timber wrapped in a cloth is ideal to apply even pressure.



9. Alternatively, to increase the sound absorption of the panels, they can be mounted on to 45mm horizontal battens, adding 40mm mineral wool insulation into the airspace that is left, fixing the panels directly to the battens.

10. Offer the panel up to the wall and screw into place, check that the panels are straight and level. (Note that the panels have a slight overlap on one edge, so the joints are covered by timber slats).

11. Should there be an area that needs cutting out (i.e. for plug sockets) carefully measure and mark the panel (masking tape is ideal in this situation) using a saw or multitool carefully cut the timber slats to suit using a craft knife to finally cut the felt pad. Smooth any cut edges with a fine sandpaper or file afterwards.



12. Use the multitool to cut through the timber slats (once the panels have been adjusted in size it may be necessary to add fixings / staples through the rear of the felt backing to secure the timber slats). Staples, small wood screws or superglue are ideal for fixing potentially loose slats.

13. If screwing the panel anywhere near a wall socket take extra care, using a stud detector to be certain that no wires are disturbed.

14. Lightweight fixtures such as picture hanging can be installed through the felt backing of the panels, please do not affix to the individual slats. To do this simply drill through the felt backing of the panel into your sub wall or battens, then use the appropriate fixings using spacers to allow for the recess in between panel slats.

For heavy fixtures, for example shelving and TV mounts, install the fixture first, and cut and install the panels around it. The panels are not designed to hold the extensive weight, so it is best to have these supported by the wall.



For further information, contact; info@feature-wall.co.uk

CARE & MAINTENANCE

To maintain Feature Wall panels occasionally wipe down the slats with a damp lint free cloth. In addition, the use of a brush attachment on a vacuum cleaner is ideal to clean the recesses in between the slats.

Once installed we recommend the use of a wood treatment product on the wood veneer slats, such as Bona Oil Refresher, to help protect and create an even finish. Note that this process will need to be repeated as required. Please ensure you trial a good quality product on an offcut before applying to your Feature Wall panels.

SPECIFICATION

- Two panel sizes: 2400 x 600 x 22mm & 3000 x 600 x 22mm.
- Each slat measures 27mm, with a 13mm recess in between.
- Slats are made from black FSC® certified fire resistant MDF with a decorative real wood veneer.
- Noise absorbing due to density of black felt backing material.
- Panels are Class B, s2, d0 Fire rated.
- 44 sheets per pallet, individually packed.
- 1 year warranty against manufacturing defects.

DISCLAIMER

Please ensure the panels are NOT installed in a damp environment. Due to the use of natural veneers, the product, if left exposed for long periods of time may be subject to slight fading which is a process where any natural fibres are exposed to UV rays. We reserve the right to alter and amend product and technical details without prior notice.